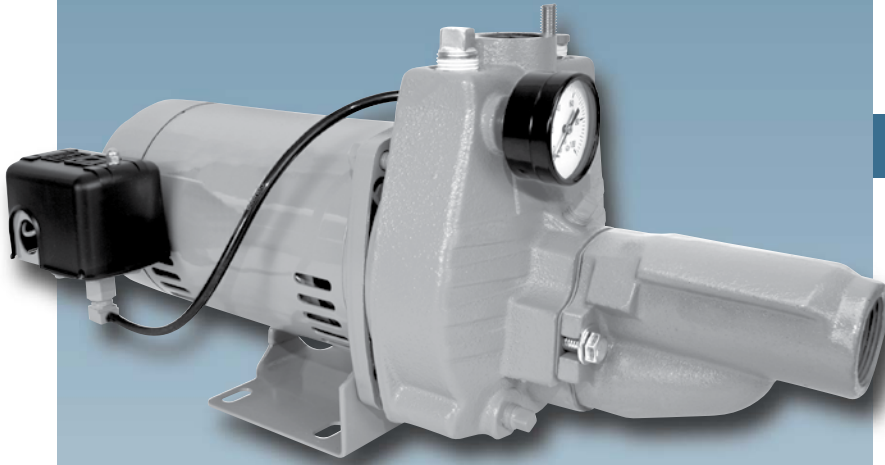


Water Systems

Convertible Jet Pumps



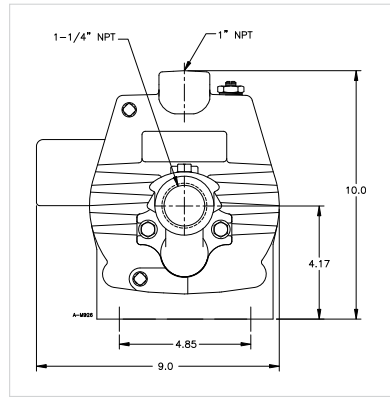
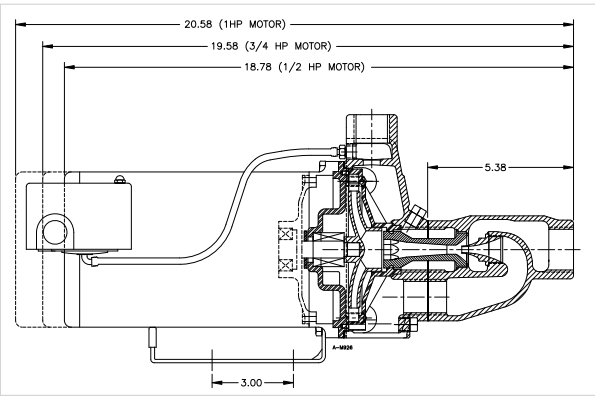
Applications:

- For supplying fresh water to rural homes, farms and cabins
- For installations where the vertical distance to the pumping water level does not exceed 90 feet

Features:

- Cast iron casing and seal plate for durability and long life
- A.O. Smith higher than standard NEMA service factor dual compartment motor
- Dual voltage 115/230V
- Square D pressure switch preset at 30-50 PSI
- 1-1/4" suction, 1" NPT discharge and brass flow control valve
- Pressure gauge included with all models
- Stainless steel motor shaft and dual ball bearings
- Precision engineered thermoplastic impeller, diffuser, nozzle and venturi
- Deep well venturi supplied with all models
- Fully serviceable with two-year warranty

Dimensional Outlines:



Specifications:

1/2 HP													
Item #	Model		Total Suction Lift (ft. / m)	Pump Capacity GPM (LPM) Discharge Pressure in PSI									Maximum Pressure
				20	25	30	35	40	45	50	55	60	
558281	JPC-050-C	Shallow	5 (1.5)	11.1 (42)	11 (41.6)	10.9 (41.3)	10.8 (40.9)	10.7 (40.5)	9.2 (34.8)	7.4 (28.1)	5.9 (22.4)	4.5 (17.1)	76.2 (5.3kg/cm ²)
			15 (4.6)	8.1 (31.7)	8 (30.3)	7.9 (29.9)	7.8 (29.5)	7.7 (29.2)	7.3 (27.7)	5.9 (22.4)	4.4 (16.7)	3.1 (11.8)	71.7 (5.1kg/cm ²)
			25 (7.6)	4.8 (18.2)	4.8 (18.2)	4.7 (17.8)	4.7 (17.8)	4.6 (17.4)	4.5 (17.1)	4.4 (16.7)	3.2 (12.1)	1.9 (7.2)	67.5 (4.8kg/cm ²)
		Deep	20 (6.1)	–	10.7 (3.3)	9.2 (2.8)	7.8 (2.4)	6.5 (2.0)	5.4 (1.7)	4.5 (1.4)	3.6 (1.1)	2.9 (.9)	85 (5.8kg/cm ²)
			50 (15.3)	–	6.8 (2.1)	5.8 (1.8)	4.8 (1.5)	4.0 (1.2)	3.2 (1)	2.4 (.08)	1.8 (.6)	1.3 (.4)	72 (5.1kg/cm ²)
			80 (24.4)	–	4.1 (1.3)	3.4 (1.1)	2.8 (.85)	2.2 (.07)	1.6 (.49)	1 (.3)	0.4 (.01)	–	59 (4.2kg/cm ²)

3/4 HP													
Item #	Model		Total Suction Lift (ft.)	Pump Capacity GPM (LPM) Discharge Pressure in PSI									Maximum Pressure
				20	25	30	35	40	45	50	55	60	
558282	JPC-075-C	Shallow	5 (1.5)	18.2 (69)	17.9 (67.8)	17.7 (67)	16.6 (62.8)	14.3 (54.2)	12 (45.4)	9.7 (36.7)	7.4 (28)	5.1 (18.9)	71 (5kg/cm ²)
			15 (4.6)	12.7 (48.1)	12.5 (47.3)	12.4 (47)	12.2 (46.2)	12 (45.5)	9.9 (37.5)	7.5 (28.4)	5.3 (20.1)	3 (11.4)	66.7 (4.7kg/cm ²)
			25 (7.6)	7.7 (29.2)	7.5 (28.1)	7.4 (28)	7.1 (26.9)	6.9 (26.1)	6.7 (25.4)	5 (18.9)	3 (11.4)	1 (3.8)	62.4 (4.4kg/cm ²)
		Deep	20 (6.1)	–	11.5 (43.6)	9.8 (37.1)	7.6 (28.8)	6.8 (25.8)	5.7 (21.6)	4.7 (17.8)	3.8 (14.4)	3 (11.4)	86 (6.1kg/cm ²)
			50 (15.3)	–	7.4 (28)	6.1 (23.1)	5.1 (19.3)	4.1 (15.5)	3.3 (12.5)	2.5 (9.5)	1.9 (7.2)	1.3 (5)	73 (5.13kg/cm ²)
			90 (27.5)	–	4.5 (17.1)	3.5 (13.3)	2.8 (10.6)	2.1 (8.0)	1.5 (5.7)	1.0 (3.8)	.5 (1.9)	–	60 (4.2kg/cm ²)

1 HP													
Item #	Model		Total Suction Lift (ft.)	Pump Capacity GPM (LPM) Discharge Pressure in PSI									Maximum Pressure
				20	25	30	35	40	45	50	55	60	
558283	JPC-100-C	Shallow	5 (1.5)	20.2 (76.4)	20.1 (76.1)	19.9 (75.3)	19.5 (73.8)	16.7 (63.2)	13.9 (52.6)	11.1 (42.0)	8.3 (31.4)	5.6 (21.2)	71 (5kg/cm ²)
			15 (4.6)	14.5 (54.8)	14.3 (54.2)	14.1 (53.4)	13.8 (52.3)	13.6 (51.5)	11.4 (43.2)	8.7 (33)	6 (22.7)	3.3 (12.5)	66.7 (4.7kg/cm ²)
			25 (7.6)	9.1 (34.5)	8.9 (33.7)	8.8 (33.3)	8.7 (33)	8.6 (32.6)	8.5 (32.2)	6 (22.7)	3.6 (13.6)	1.2 (4.6)	62.4 (4.4kg/cm ²)
		Deep	20 (6.1)	–	12.8 (48.5)	10.5 (39.8)	8.7 (33)	7.3 (27.7)	6.6 (25)	5.2 (19.7)	4.4 (16.7)	3.6 (13.6)	87 (6.1kg/cm ²)
			50 (15.3)	–	8.4 (31.8)	7.2 (27.3)	6 (22.7)	5 (18.9)	4.2 (15.9)	3.4 (12.9)	2.6 (9.9)	1.9 (7.2)	74 (5.2kg/cm ²)
			90 (27.5)	–	4.3 (16.3)	3.4 (12.9)	2.7 (10.2)	1.9 (7.2)	1.8 (6.8)	.7 (2.7)	–	–	56.7 (4kg/cm ²)



P.O. Box 12010
 Oklahoma City, OK 73157-2010
 Phone: 1.800.701.7894
 Fax: 1.800.678.7867
 www.LittleGiantPump.com

©2008 Franklin Electric Co., Inc.
 Little Giant® is a registered trademark of Franklin Electric Co., Inc.
 Form 995260 1/08

LittleGIANT®
 Pumps. People. Partnerships.